

## GU10 N LED

## Źródło światła LED



<b>[V]</b> 220-240 AC	<b>[Hz]</b> 50	 PAR16	 SMD	 120° Φ <sub>use</sub>	 ellipse ≤ 6x Macdam	 Ra 80
 ≥15000	 15000					



## GU10 N LED 4W-CW



	<b>PON</b> [W]	[W]	[lm]	[lm] Φ <sub>use</sub>	T <sub>c</sub> [K]	[°]		EiiG
GU10 N LED 4W-CW	<b>31210</b>	4	26	340	275	5300	120	GU10 G
GU10 N LED 4W-NW	<b>31211</b>	4	26	340	275	4000	120	GU10 G
GU10 N LED 6W-CW	<b>31213</b>	6	34	485	400	5300	120	GU10 G
GU10 N LED 6W-NW	<b>31214</b>	6	34	485	400	4000	120	GU10 G
GU10 N LED 6W-WW	<b>31215</b>	6	34	485	400	3000	120	GU10 G
GU10 N LED 8W-CW	<b>31216</b>	8	44	660	530	5300	120	GU10 G
GU10 N LED 8W-WW	<b>31217</b>	8	44	660	530	3000	120	GU10 G

- Materiał klosza: tworzywo sztuczne

## GU10 N LED

### Źródło światła LED



GU10 N LED 4W-CW



GU10 N LED 4W-NW



GU10 N LED 6W-CW



GU10 N LED 6W-NW



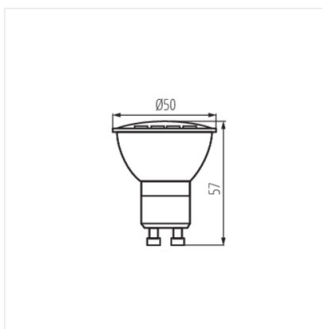
GU10 N LED 6W-WW



GU10 N LED 8W-CW



GU10 N LED 8W-WW



GU10 N LED