



# HIBO LED N

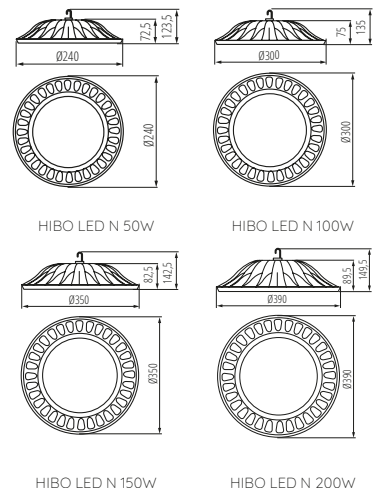
High-bay led light fitting



Power:  
220-240 AC  
50/60 Hz

Material:  
aluminum alloy, glass

Colour:  
black



|       |               |                    |      |         |       |        |        |           | <b>IP</b> |
|-------|---------------|--------------------|------|---------|-------|--------|--------|-----------|-----------|
| 31111 | 8595665311117 | HIBO LED N 50W-NW  | 50W  | 4500lm  | 4000K | 25000h | ≥20000 | <b>65</b> |           |
| 31112 | 8595665311124 | HIBO LED N 100W-NW | 100W | 9000lm  | 4000K | 25000h | ≥20000 | <b>65</b> |           |
| 31113 | 8595665311131 | HIBO LED N 150W-NW | 150W | 13500lm | 4000K | 25000h | ≥20000 | <b>65</b> |           |
| 31114 | 8595665311148 | HIBO LED N 200W-NW | 200W | 18000lm | 4000K | 25000h | ≥20000 | <b>65</b> |           |